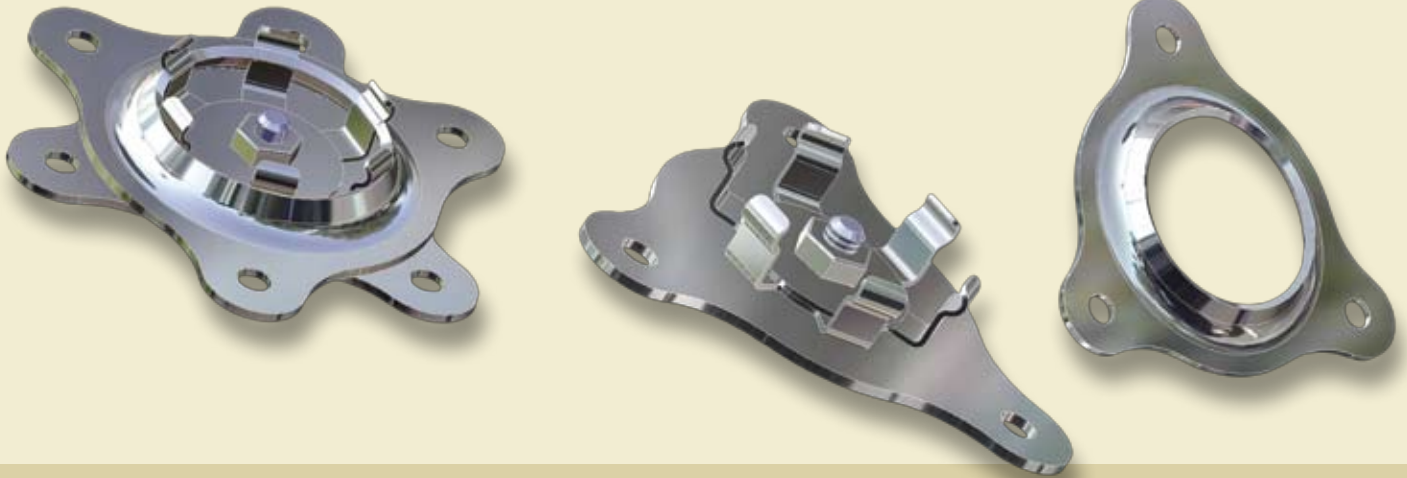


• Made entirely of stainless steel



### Technical specifications

<b>Material:</b>	Stainless steel
<b>Hole:</b>	27 mm
<b>Diameter:</b>	50 mm
<b>Seal strength:</b>	7 kg

### Why to use it

**FitLock Stainless** is a fastening pressure system, both vertical and horizontal, designed for mounting panels, ceilings and walls of every kind. The concentric system of **FitLock Stainless** permits to move the panels, once placed in position, for maximum precision in combination and in pairs. **FitLock Stainless** is really easy to position, remove, and reposition, so as to allow the most complicated operations of inspection, maintenance, restoration, etc.

### Where to use it

**FitLock Stainless** is a very versatile system that allows you to create high-quality coating, both removable and fixed, in different fields and for many processing:

- Construction of spaces and furnishings for marine industry
- Construction of railway wagons
- Construction of recreational vehicles (motor homes and caravans)
- Construction of spaces and furnishings for buildings, exhibitions and museums
- Construction of spaces and furnishings for shops, offices and factories.

### How to use it

**MANUAL POSITIONING:** with the special positioning markers, the elements that make up the **FitLock Stainless** are placed on the parts to be joined.

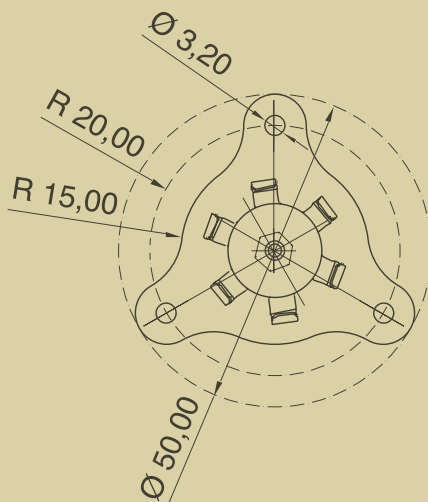
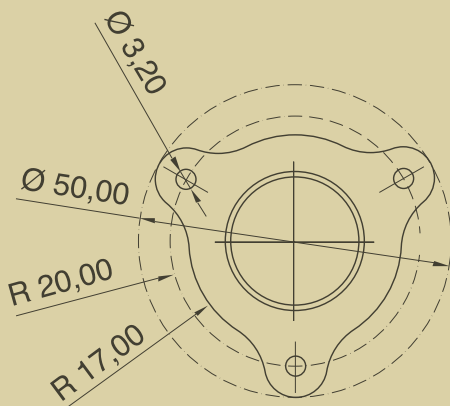
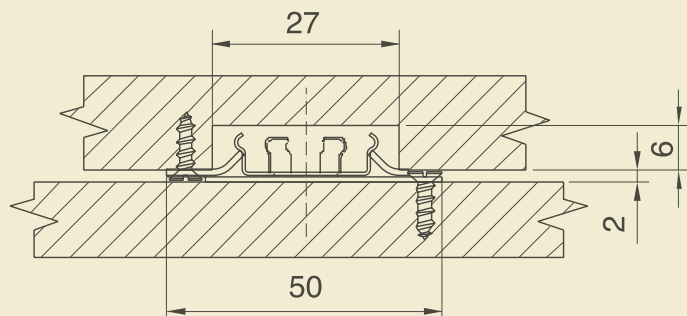
**CAD-CAM POSITIONING:** ideal for large areas, it allows insertion of position references for the **FitLock Stainless** already in the planning stage.

The females and the males can be mounted either on panels or on media.

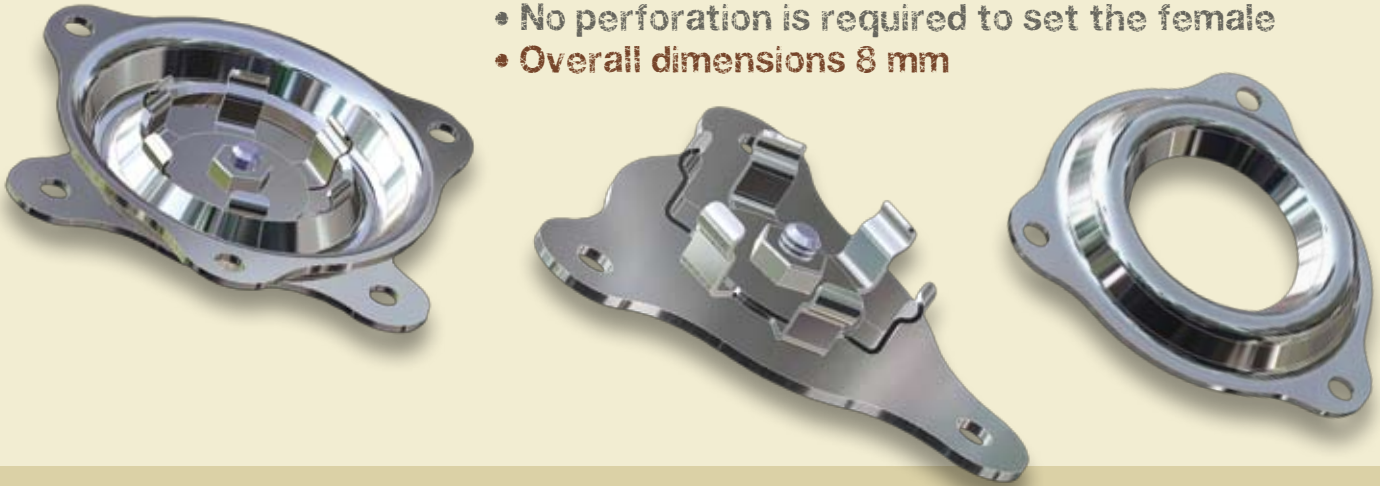
### Overall dimensions

#### SECTION

Make a  $\varnothing 27$  mm, prof. 6 mm hole for the **FitLock Stainless** female site. When the panel is fixed, a distance of 2 mm remains between the panel and the support.



- Made entirely of stainless steel
- No perforation is required to set the female
- Overall dimensions 8 mm



### Technical specifications

<b>Material:</b>	Stainless steel
<b>Hole:</b>	NO
<b>Diameter:</b>	50 mm
<b>Seal strength:</b>	7 kg

### Why to use it

**Fit Lock Stainless Free** is a fastening pressure system, both vertical and horizontal, designed for mounting panels, ceilings and walls of every kind. The concentric system of **Fit Lock Stainless Free** permits to move the panels, once placed in position, for maximum precision in combination and in pairs. **Fit Lock Stainless Free** is really easy to position, remove, and reposition, so as to allow the most complicated operations of inspection, maintenance, restoration, etc.

### Where to use it

**Fit Lock Stainless Free** is a very versatile system that allows you to create high-quality coating, both removable and fixed, in different fields and for many processing:

- Construction of spaces and furnishings for marine industry
- Construction of railway wagons
- Construction of recreational vehicles (motor homes and caravans)
- Construction of spaces and furnishings for buildings, exhibitions and museums
- Construction of spaces and furnishings for shops, offices and factories.

### How to use it

**MANUAL POSITIONING:** with the special positioning markers, the elements that make up the **Fit Lock Stainless Free** are placed on the parts to be joined.

**CAD-CAM POSITIONING:** ideal for large areas, it allows insertion of position references for the **Fit Lock Stainless Free** already in the planning stage.

The females and the males can be mounted either on panels or on media.

### Overall dimensions

#### SECTION

No perforation is required to apply the **FitLock Stainless Free** female. When the panel is fixed, a distance of 8 mm remains between the panel and the support.

